

Vout = +/-50v
Vaux = +/-70v

IN_L

QUASAR
current dumping amplifier
- LEFT -

R37

SGND

OUT

GND

QUASAR SMPS
Solid state & tube smps

+Vout

PGND1

+Vout

+Vaux

PGND2

+Vaux

GND

Instead of R37
use this resistor

SGND

QUASAR
current dumping amplifier
- RIGHT -

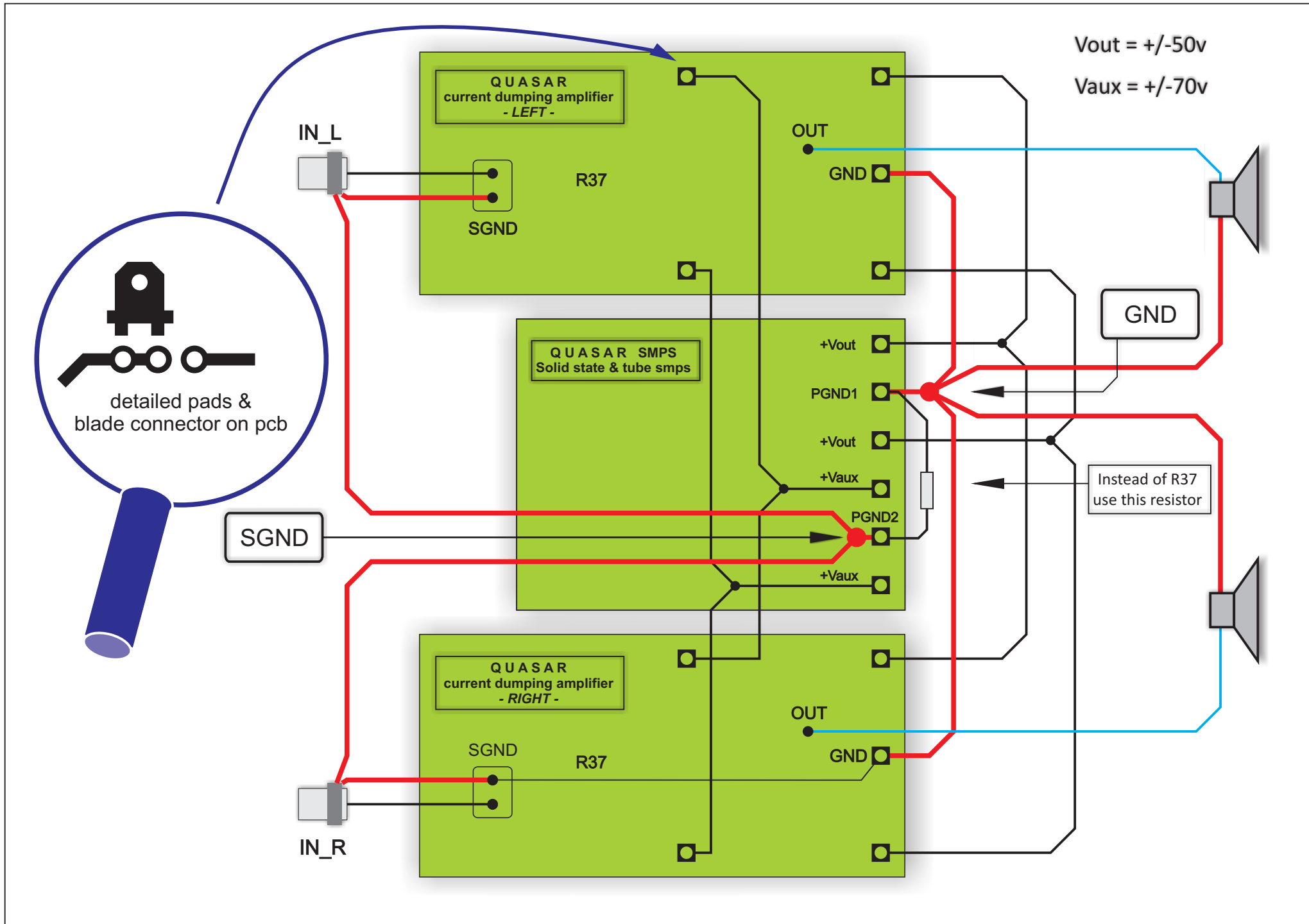
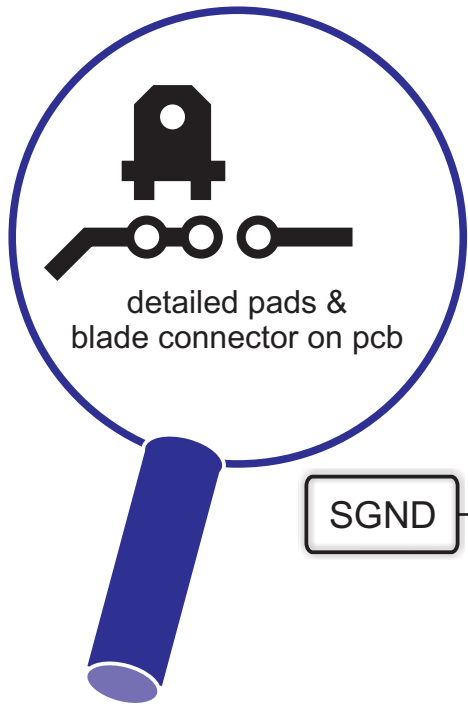
R37

SGND

OUT

GND

IN_R



Vout = +/-50v

